



## OLC(T) 10 & OLC 10 TWIN

Detector / transmitter for Explosive gases



### Presentation

Design for commercial applications, OLC and OLCT10 detectors perfectly suit the protection of equipment and personnel in boiler or charging rooms where atmosphere may contain flammable gases.

Rugged, small, easy to install and operate, these detectors combined with the MX 32 control unit meet demanding user requirements.

### Features

- Catalytic sensors
- 4-20mA output signal with OLCT 10
- Dust and humidity resistant
- Fast and accurate response
- ATEX Approval for use in hazardous areas (zone 2)
- OLC 10 TWIN allows connection of 2 sensors with a single channel without any additional junction box.

### Applications

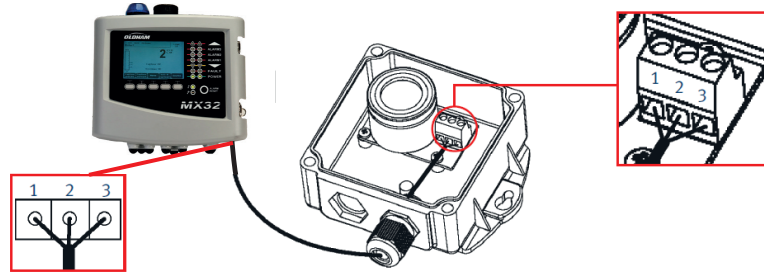
- Boiler rooms
- Charging rooms



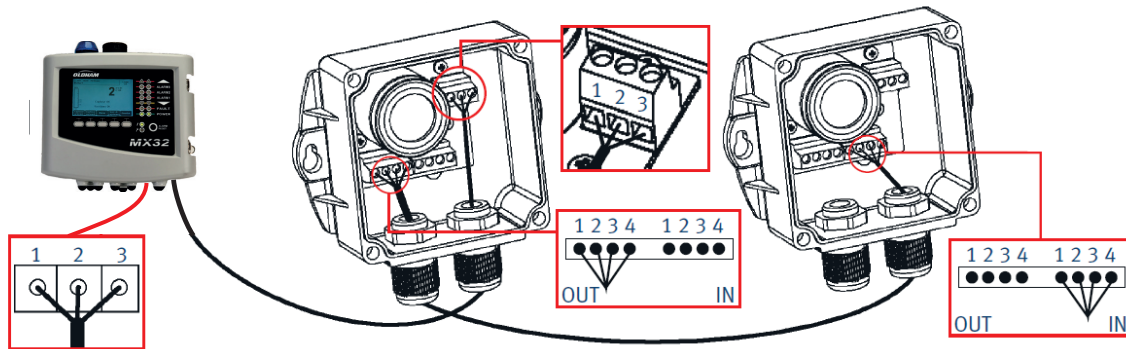
# OLC(T) 10 & OLC 10 TWIN

Detector / transmitter for Explosive gases

## Wiring arrangement between OLC(T) 10 and MX 32 control unit



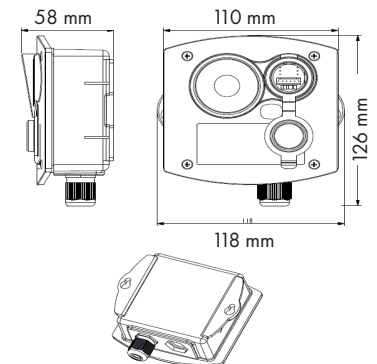
## Wiring arrangement between OLC 10 TWIN and MX 32 control unit



### Technical features

|                          | OLC 10 / OLC 10 TWIN  | OLCT 10 (Catalytic)  |
|--------------------------|---|--|
| Range                    | Combustible gases - 0 to 100% LEL, Methane, Butane, Propane, LPG, Natural Gas or H <sub>2</sub>   | Combustible Gases - 0 to 100% LEL Methane, Butane, Propane, GPL, Natural Gas or H <sub>2</sub>   |
| Signal output            | Wheatstone Bridge   | Normal operation 4-20 mA (Fault < 0.5 mA or > 23.2 mA)   |
| Settings                 | Managed by control unit   | Without opening the enclosure by means of 2 potentiometers for zeroing and spanning 2 mA signal output in maintenance mode<br>One dedicated connector to get a gas measurement<br>Set to 23.2 mA if value > 100% LEL according to European standard EN 61779-4<br>Disable on request when managed by a suitable controller |
| Power Supply             | By controller only  | 15 to 30 Vdc (nominal 24 Vdc)  |
| Consumption              | See on the manual of the controller   | 100 mA max.  |
| Cabling                  | OLC 10 :<br>3 Wire, shielded, core size 1,5 mm <sup>2</sup> max. cable length 300 m<br>1 cable-gland M16 (outer \ 4 to 8 mm)<br><br>OLC10 TWIN :<br>shielded, core size 1,5 mm <sup>2</sup> , 3-wire to control unit,<br>4-wire between both sensors, max. cable length 300 m, 2 cable-glands M16 (outer \ 4 to 8 mm) | 3-wire, shielded, core size 1,5 mm <sup>2</sup> , max. cable length 1km if connected with control unit (32 W max on loop) 1 cable gland M16 (outer \ 4 to 8 mm)  |
| Dimensions (LxHxP)       | 118 x 126 x 58 mm   | 118 x 126 x 58 mm  |
| Material                 | ABS   | ABS  |
| IP Rating                | IP65  | IP65   |
| Expected lifespan        | 36 to 48 months (sensor)  | 36 to 48 months (sensor)   |
| Operating temperature    | -10 to +45 °C   | -10 to +45 °C  |
| Operating humidity range | 0 % HR to 95% HR  | 0% HR to 95% HR  |
| Pressure Range           | 1 bar ± 20 %  | 1 bar ± 20 %   |
| Response Time            | Flammable gas : < 10s   | Flammable gas : < 10s  |
| Accuracy                 | ±/- 3% LEL  | ±/- 3% LEL   |
| Certification            | Electromagnetic compatibility according to EN 50270:06 (typ 1)<br>ATEX II 3 G / Ex nA IIC T6  | Electromagnetic compatibility according to EN 50270:06 (typ 1)<br>ATEX II 3 G / Ex nA IIC T4   |

### Dimensions



Teledyne Gas & Flame Detection quality assurance programs demand the continuous assessment and improvement of all our products. Information in this leaflet could thus change without notification and does not constitute a product specification. For more information, please contact us or your company representative.



**AMERICAS**  
4055 Technology Forest Blvd.  
The Woodlands,  
TX 77381, USA  
Tel.: +1-713-559-9200  
Fax: +1-713-893-6729

**EMEA**  
ZI Est, Rue Orfila,  
CS 20417  
62027 ARRAS CEDEX, France  
Tel.: +33-3-21-60-80-80  
Fax: +33-3-21-60-80-00

**ASIA PACIFIC**  
290 Guiqiao Road  
Pudong, Shanghai 201206  
People's Republic of China  
Tel.: +86-21-3127-6373  
Fax: +86-21-3127-6365